

### Types LRS, LRSG

Centrepoint 60° spring loaded  
Pressure indication by coloured rings

**Runout**

Type LRS max. 0.005 mm

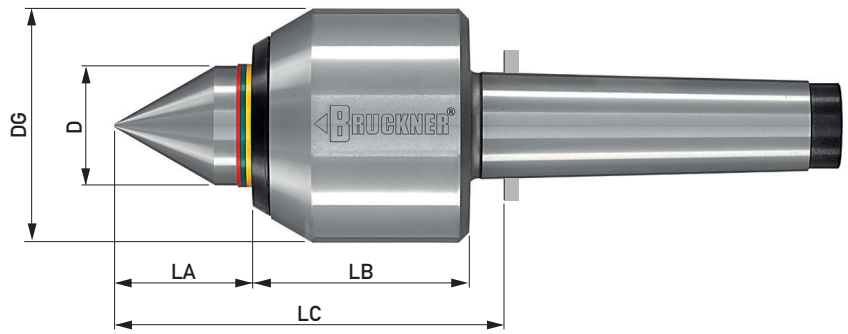
Type LRSG max. 0.003 mm

with test report

**Application**

Turning, CNC turning with multi-spindle machines or CNC lathes with twin tool turrets.

As a tailstock centre when using face drivers



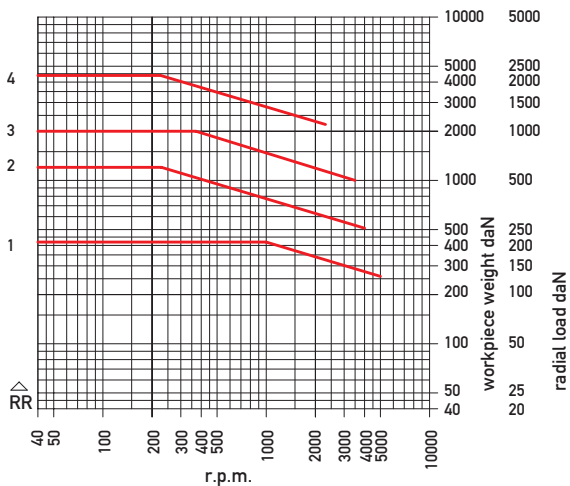
Type LRS	ID.No.	700S 055003	700S 068004	700S 092005	700S 127006
Type LRSG	ID.No.	701S 055003	701S 068004	701S 092005	701S 127006
Morse taper		3	4	5	6
D		25	35	50	70
DG		55	68	92	127
LA		28	40	57	74
LB		51	63	82	109
LC		84	108	145	190
Workpiece weight max daN*		420	1200	2000	4400
Spring travel		2.7	4.2	5.4	8.4
r.p.m. max.*		5000	4000	3500	2300
Radial/axial load graph		RR1/AR1	RR2/AR2	RR3/AR3	RR4/AR4
Axial force per coloured ring		page 34			

Available with draw-off thread and draw-off nut (design A)

\*observe the load graphs

Radial and axial loads for a bearing life of 2000 operating hours

**Radial – Types LRS, LRSG**



**Axial – Types LRS, LRSG**

